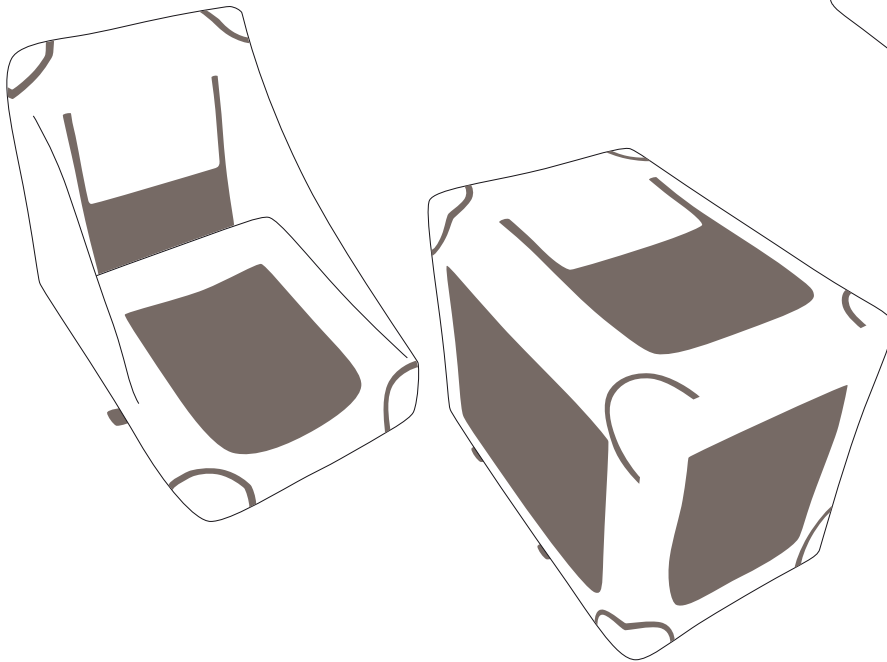


Travel Kennel Assembly Instructions



1. Firstly turn the product over and remove the 2 rods from the pouch on the base of the kennel.



2. Now turn the product back over and unclasp the 2 buckles located on either side of the kennel. This now allows you to fold out the front and rear walls.

3. Finally use the 2 rods to lock the frame of the kennel in position. To do this, insert 1 rod into each guide in the top corners of the frame. Now compress the rods down to allow them to be inserted into the guides in the opposite corners of the frame. The frame will now be secure and the kennel ready for use.

